

MOTOPLASTIC, S.A.

Molí de la sal, 1 - 08400 Granollers (Barcelona) SPAIN

Tel. 34 93 849 06 33 - Fax 34 93 849 09 88

info@puig.tv

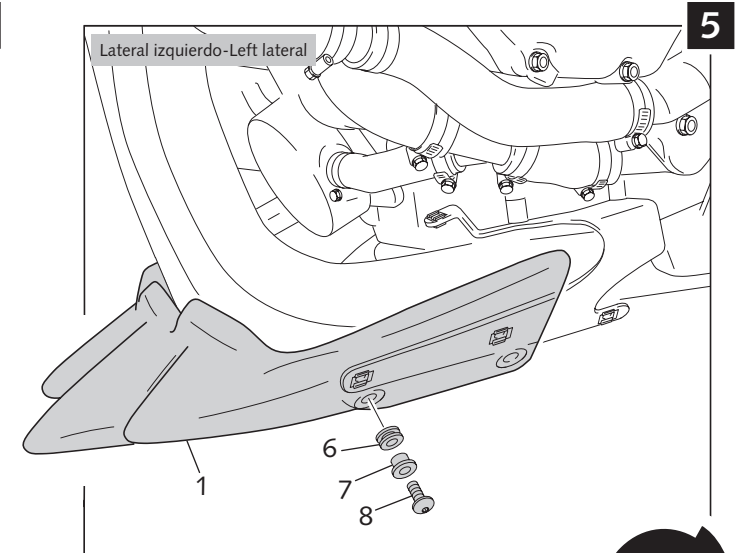
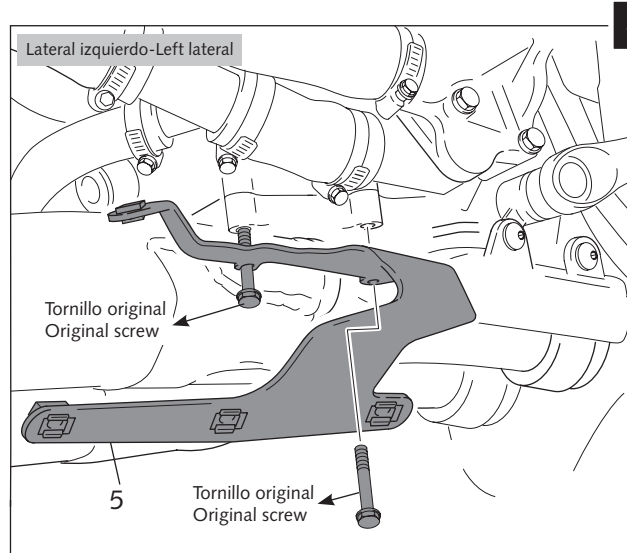
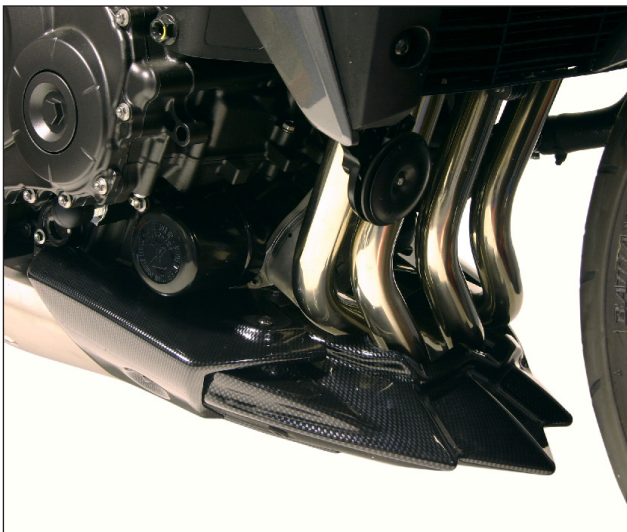
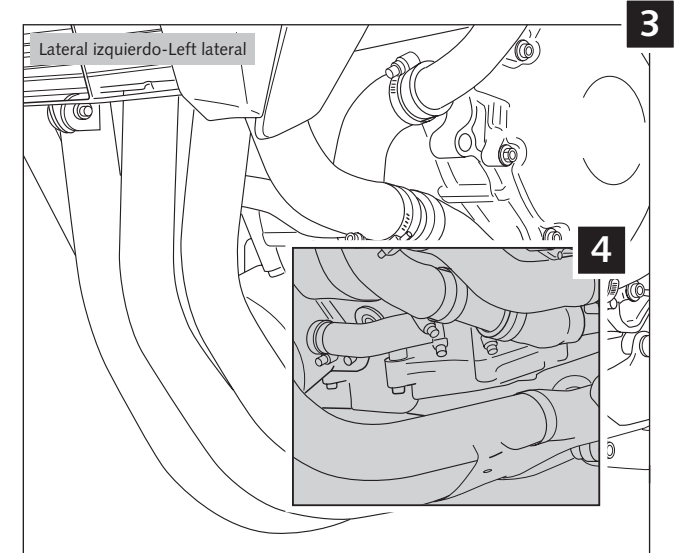
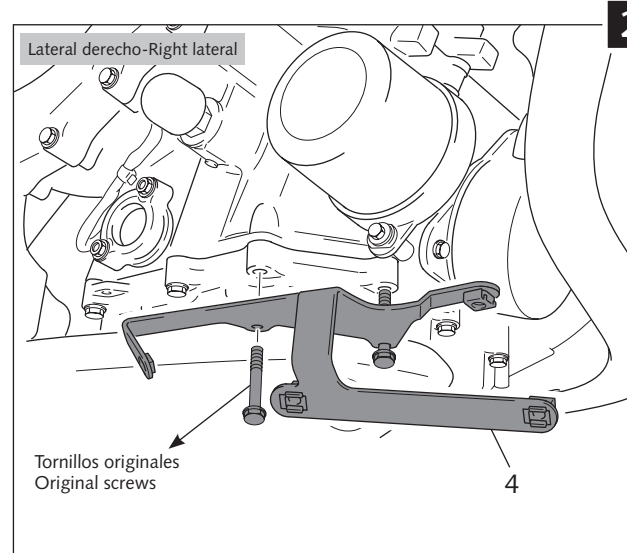
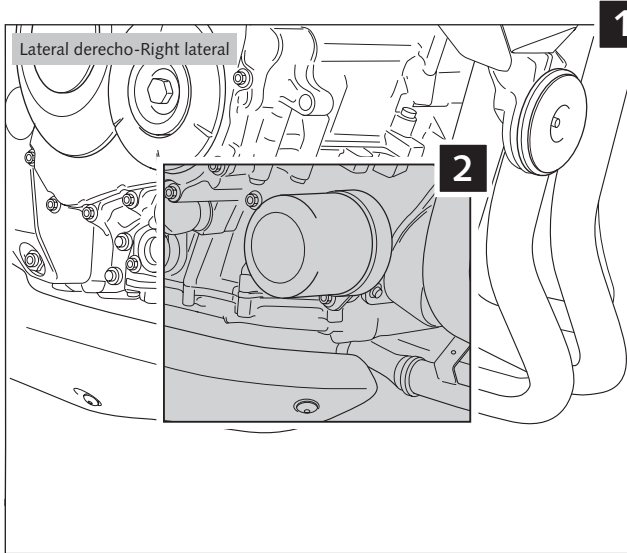
www.puig.tv

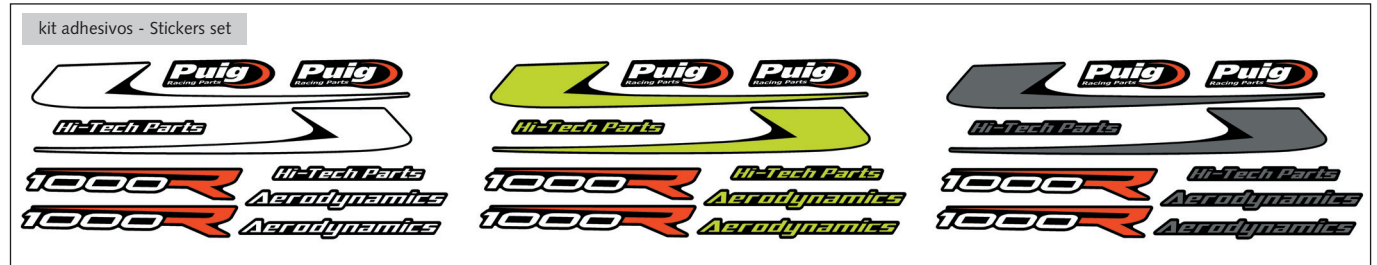
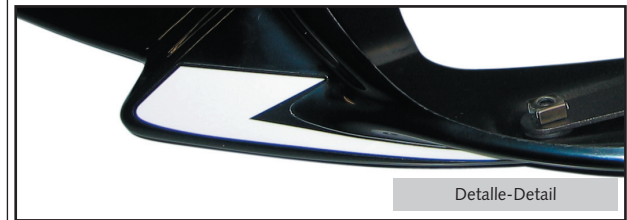
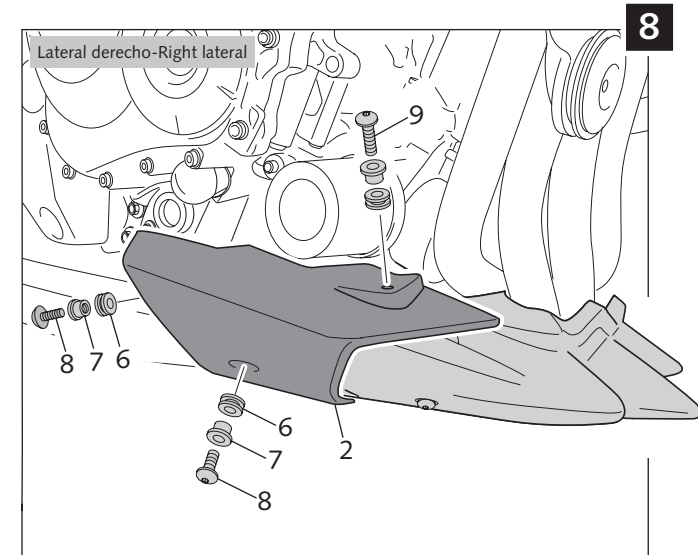
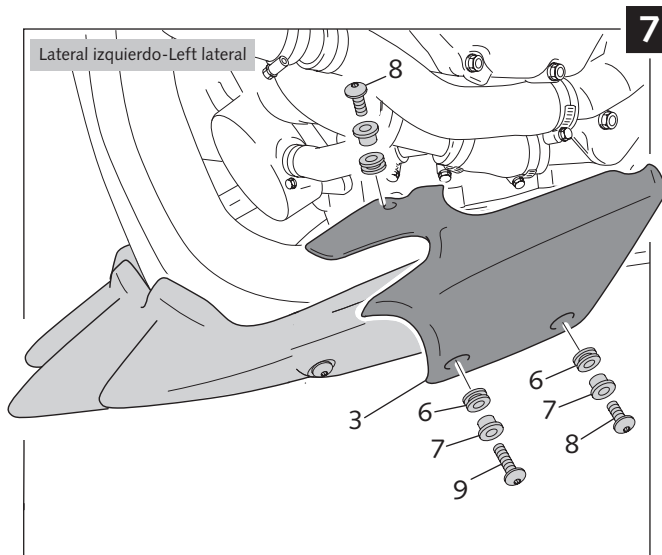
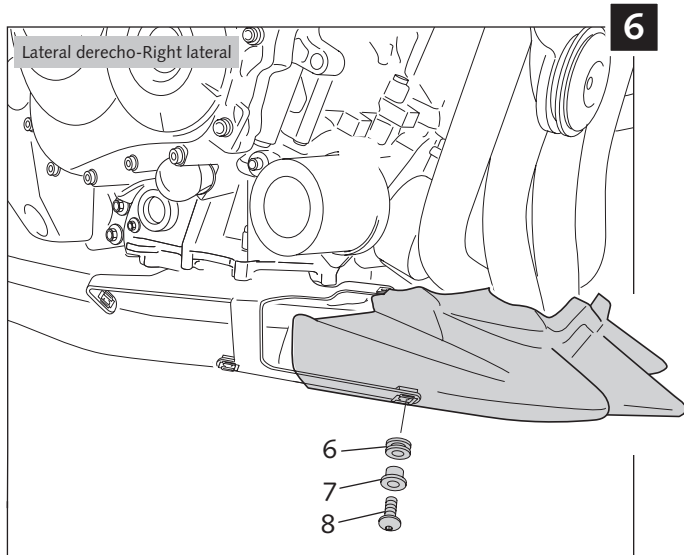
## INSTRUCCIONES DE MONTAJE - MOUNTING INSTRUCTIONS

### QUILLA ADAPTABLE A - ENGINE SPOILER ADAPTABLE TO HONDA CB1000R

Ref.: 4696N  
(color negro/black colour)

Ref.: 4696C  
(color carbono/carbón look)





ID.	DESCRIPCIÓN	DESCRIPTION	QTY.
1	Quilla central	Central engine spoiler	1
2	Quilla derecha	Right engine spoiler	1
3	Quilla izquierda	Left engine spoiler	1
4	Soporte metálico derecho	Right metal support	1
5	Soporte metálico izquierdo	Left metal support	1
6	Silemblock (se suministra montado en la pieza n°1-2-3)	Well nut (supplied already mounted on the piece n°1-2-3)	10
7	Casquillo con valona (se suministra montado en la pieza n°1-2-3)	Bush with flange (supplied already mounted on the piece n°1-2-3)	10
8	Tornillo allen M6x15 DIN 1001	M6x15 allen screw DIN 1001	6
9	Tornillo allen M6x25 DIN 1001	M6x25 allen screw DIN 1001	2
10	Conjunto adhesivos	Stickers set	1